

Arc 65

PENDANT



SPECIFICATION SHEET

Arc 65



Model 1694 ¹

Type
P Pendant

Size
Specify radius
Specify length
For customized shapes, please include a layout drawing or advise desired shape

Wattage ^{2,3}

Direct ⁴	Indirect ⁵
LD 3 W/ft (400 lm/ft) 10 W/m (1,335 lm/m)	LI 3 W/ft (400 lm/ft) 10 W/m (1,335 lm/m)
MD 6 W/ft (743 lm/ft) 20 W/m (2,475 lm/m)	MI 6 W/ft (743 lm/ft) 20 W/m (2,475 lm/m)

XD – No Direct XI – No Indirect

Color Temp ⁶

30	3000
35	3500
40	4000

Voltage

2 220/240 Volt

Driver

RD Remote

Control - RD

S	Non-dim
D010	0-10V
DALI	DALI
SWD	SwitchDIM

Diffuser Bottom

SW Satin opal acrylic
CB Aluminum – painted to match the fixture

Diffuser Top

SA Satin clear acrylic
CT Aluminum – painted to match the fixture

Finish ⁷

19 Painted anodized aluminum - RAL 9006 matte
21 Painted white - RAL 9010 matte
26 Painted black - RAL 9005 matte
22 Painted custom color

Mounting

SC Straight cables

Circuit

CS Circuit - Single
CD Circuit - Dual

Power Cable ⁸

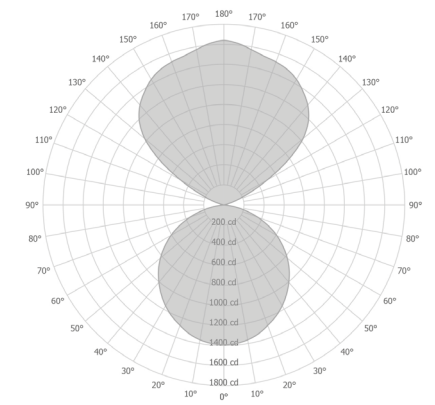
CC Clear insulated cable (standard)
WC White cable
BC Black cable

Notes

- 1 Separately specify any downlighting elements
- 2 Nominal lumens value specified
- 3 Linear LED board, constant voltage 24 Volt
- 4 For no Direct light specify XD
- 5 For no Indirect light specify XI
- 6 90+ CRI standard
- 7 Canopy finish matches housing
- 8 96" standard cable length

Example fixture number:

1694 – P – R x L – LD – LI – 30 – 2 – RD – S – SW
– SA – 19 – SC – CS – CC



Arc 65

PENDANT

Arc 65 is a customizable fixture that provides Direct or Indirect lighting and a means to suspend luminaires from it.

Open arcs, ellipses, and compound curves are adaptable to exact dimensions.



Size
Specify radius
Specify length
For customized shapes, please include a layout drawing or advise desired shape



- * 65mm x 65mm fixture body profile
- * Straight cables mounting option
- * Hairline fixture segments connection

Arc 65

PENDANT



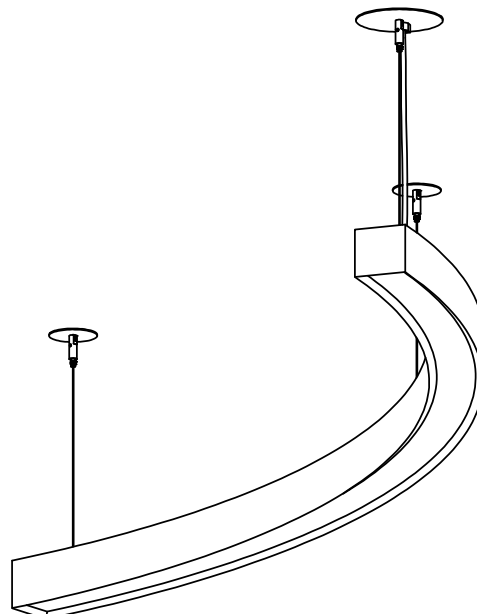
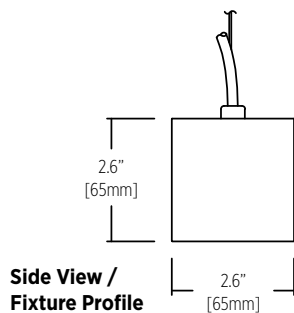
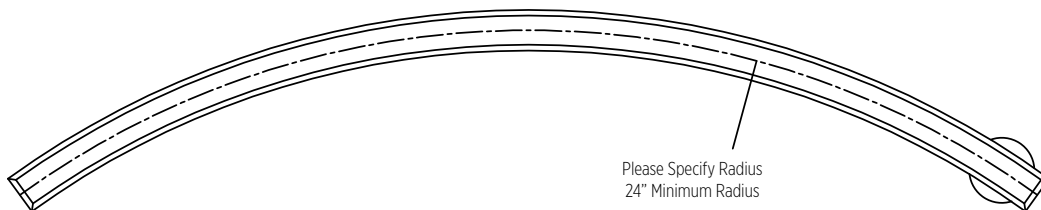
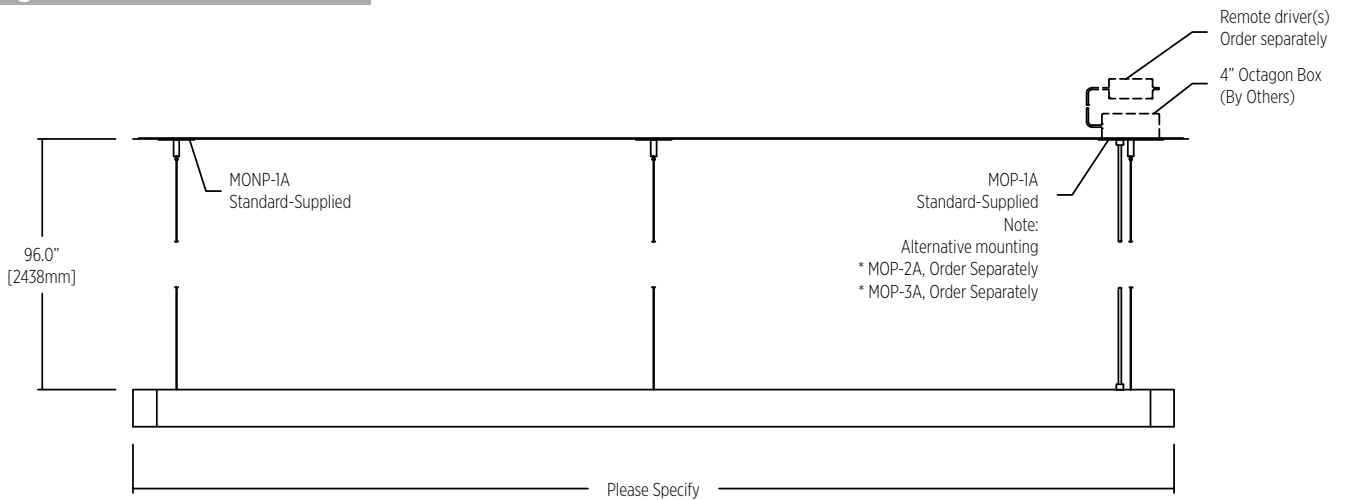
SPECIFICATION SHEET

Arc 65



INSTALLATION TYPE

Straight cables with remote driver



Note:
See page 3 & 4 for mounting options

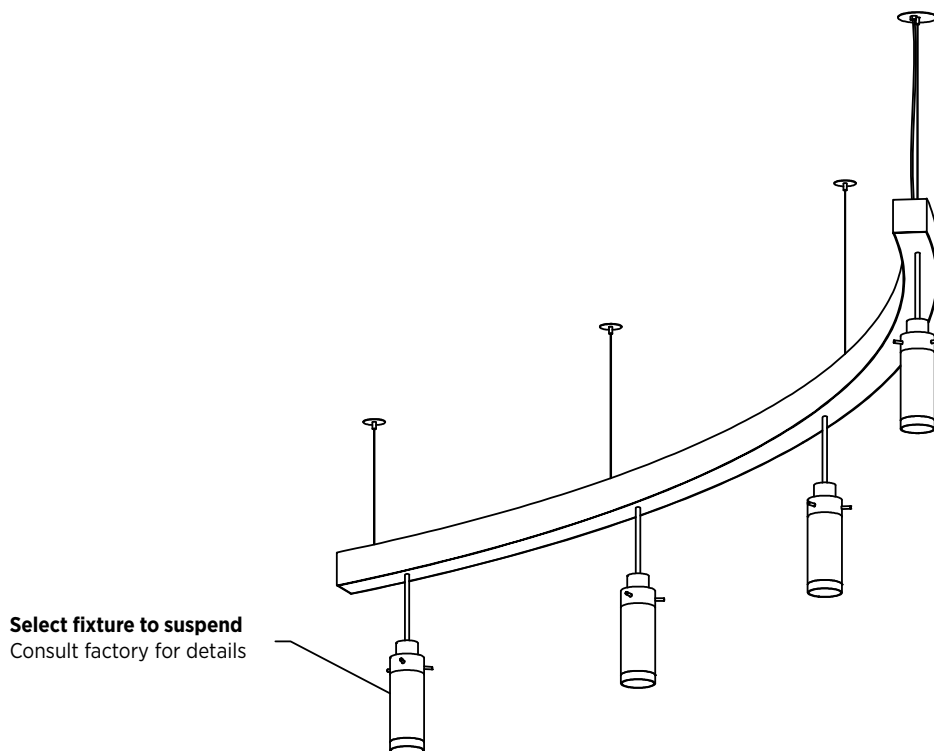
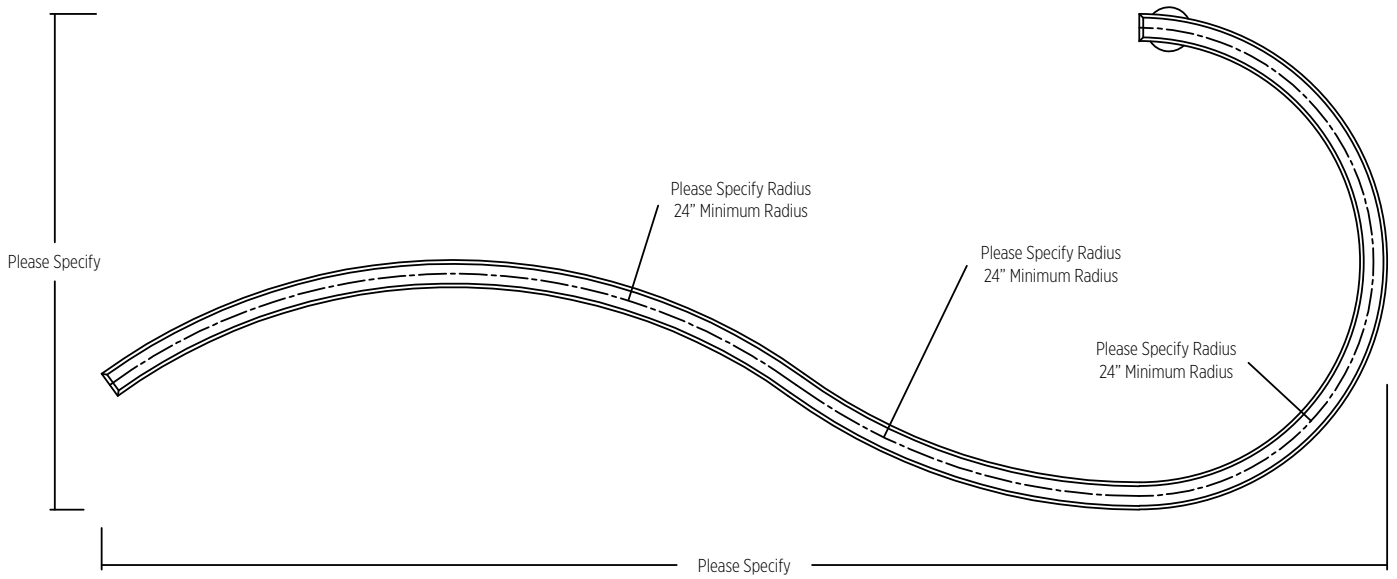
Arc 65

PENDANT



SPECIFICATION SHEET

Arc 65



Arc 65

PENDANT



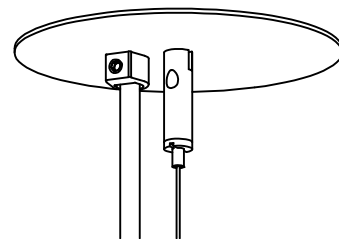
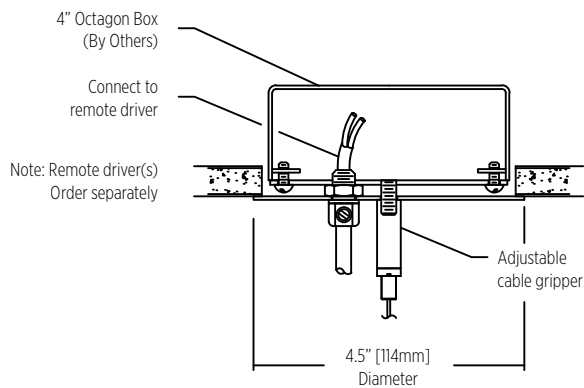
SPECIFICATION SHEET

Arc 65



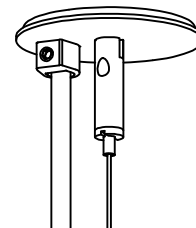
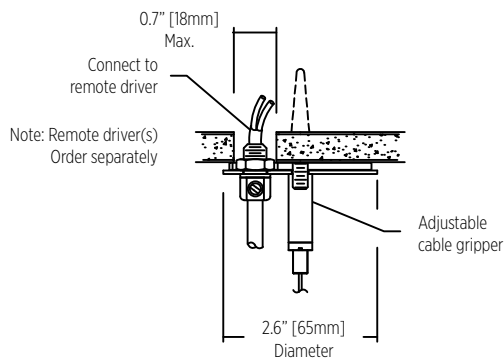
STRAIGHT CABLES MOUNTING OPTION - POWER

MOP-1A Standard - Supplied



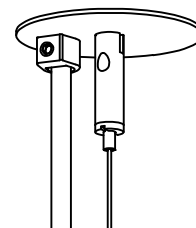
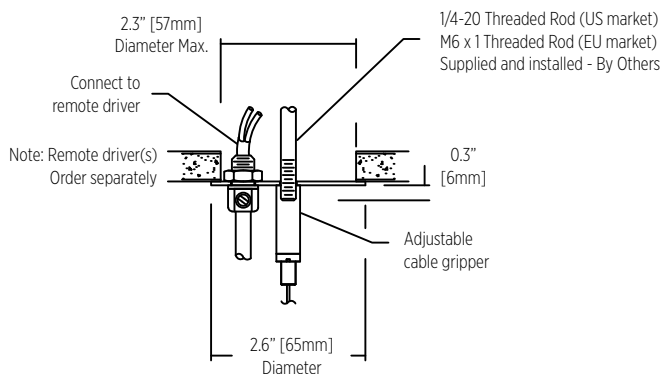
Mounting Option Power 1A
Octagon Box (By Others)
Installed in drywall, wood or concrete ceiling

MOP-2A-1 Order Separately



Mounting Option Power 2A-1
Suspension assembly
Installed in drywall or wood ceiling

MOP-2A-2 Order Separately



Mounting Option Power 2A-2
Suspension assembly
Installed in drywall or wood ceiling

Arc 65

PENDANT

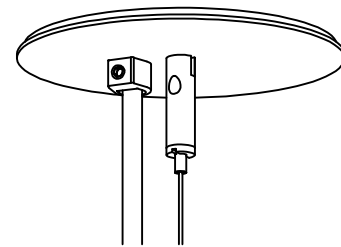
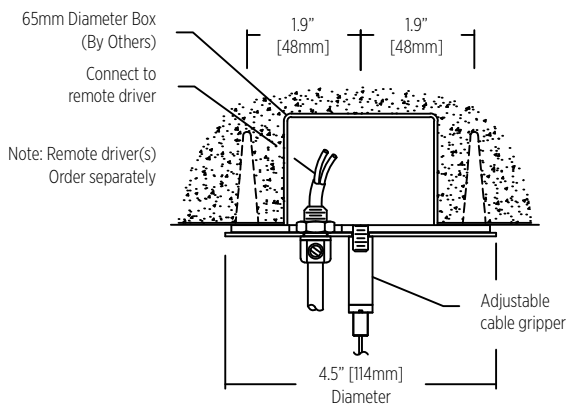


SPECIFICATION SHEET

Arc 65



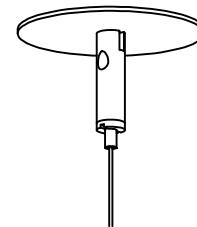
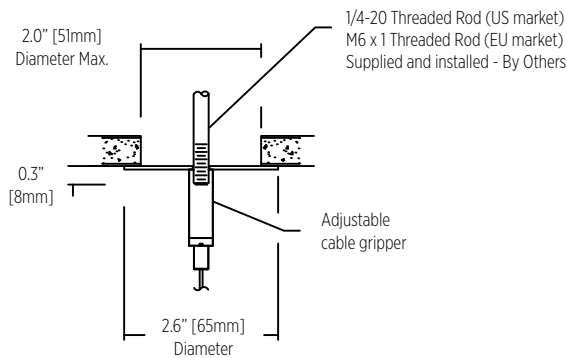
MOP-3A Order Separately



Mounting Option Power 3A
65mm Diameter Box (By Others)
Installed in drywall, wood or concrete ceiling

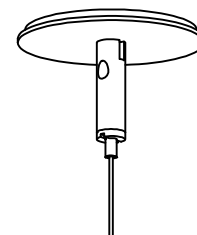
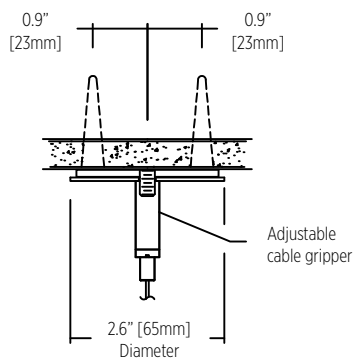
STRAIGHT CABLES MOUNTING OPTION - NON POWER

MONP-1A-1 Standard - Supplied



Mounting Option - Non Power
Threaded Rod installed
to structural ceiling (By Others)

MONP-1A-2 Alternative - Supplied



Mounting Option - Non Power
Suspension Assembly
Installed in drywall, wood or concrete ceiling